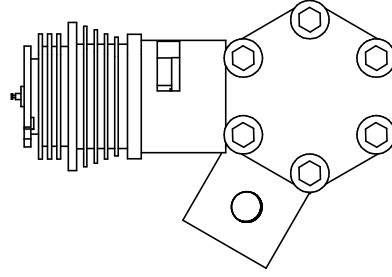
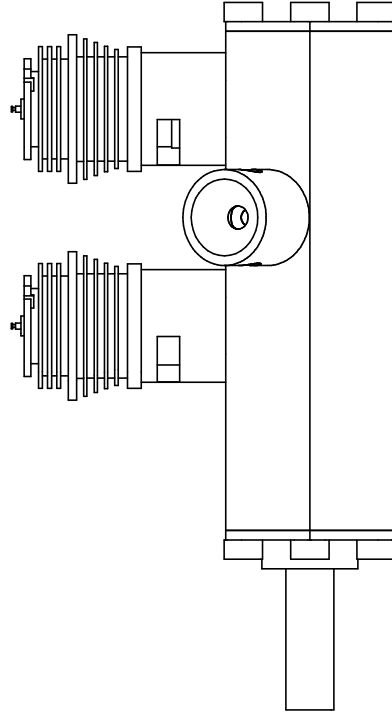
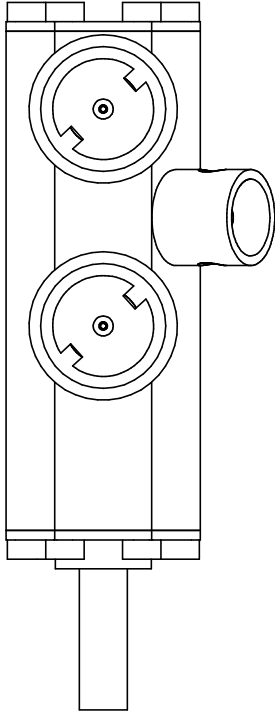
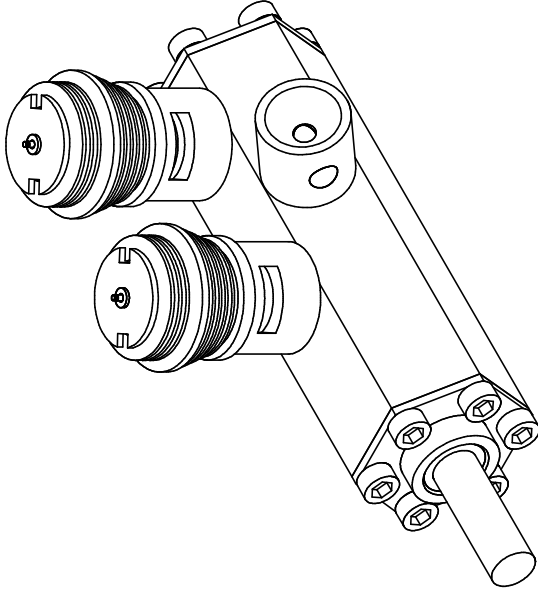


James Engine HEX-2

ZONE

REV

15 Jul 06



SIZE
A

Title
HEX-2

REV

SCALE
1:1

SHEET

SHEET 1 of 6

James Engine HEX-2

ZONE

REV

15 Jul 06

Item Number	Quantity	Part Number	Part Name	Revision	Comment
1	2		Crankshaft Pin		3/32" by 5/8" Dowel Pin
2	1		Crankshaft		5/8" TGP
3	12		Hex Bolt		4/40 x 3/8"
4	1		Front Plate		7/8" Aluminum HEX Rod
5	1		Back Plate		7/8" Aluminum HEX Rod
6	2		Cylinder		COX(tm) .049
7	1		Crankshaft Holding Tool		7/8" Aluminum HEX Rod
8	1		Venturi		1/2" Aluminum Round
9	2		Piston/Connecting Rod		COX(tm) .049
10	1		Crankshaft End		5/8" TGP
11	1		Crank Case		7/8" Aluminum HEX Rod
12	2		Glow Head		COX(tm) .049
13	1		Needle Valve		OS(tm) .010 std

SIZE

A

Title

BILL OF MATERIALS

REV

SCALE

1:1

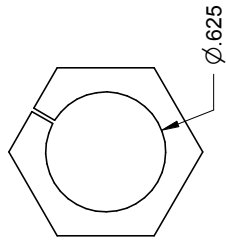
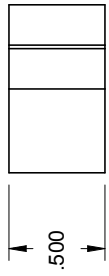
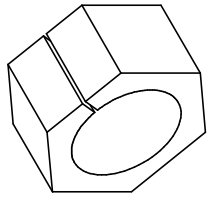
SHEET

SHEET 2 of 6

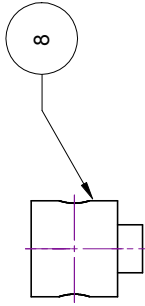
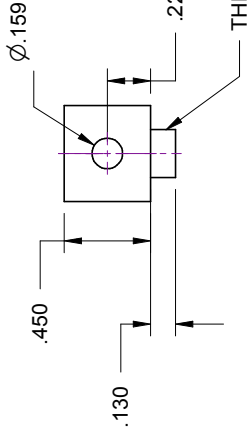
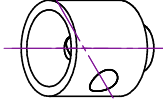
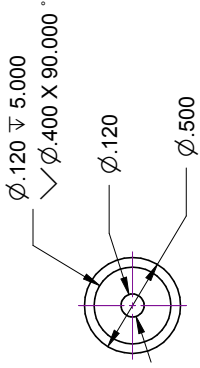
James Engine HEX-2

ZONE REV

15 Juli 06

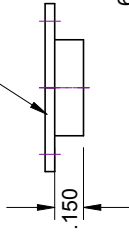


7

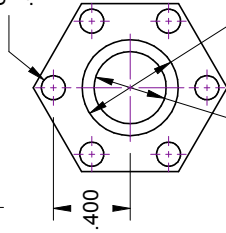


8

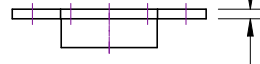
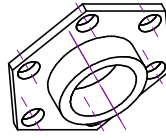
4



6x Ø.125
.800 BC

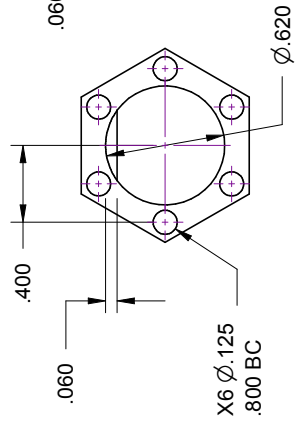
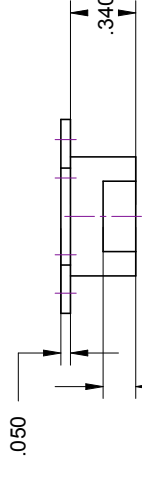
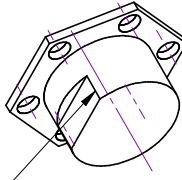


Ø.500

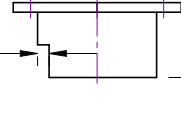


.050

Round Corners With File



5



.390

SIZE
A

Title
FRONT AND BACK PLATE, VENTURI,
CRANKSHAFT HOLDING TOOL

SCALE
1:1

SHEET

SHEET 3 of 6

James Engine HEX-2

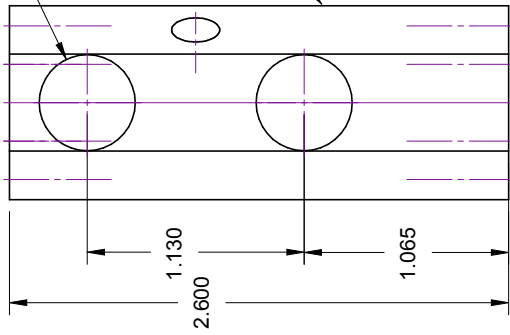
ZONE

REV

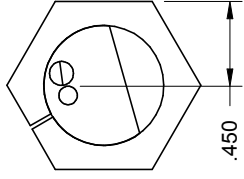
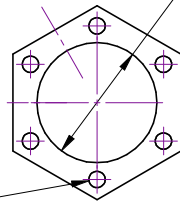
15 Juli 06

2x $\phi .500 \sqrt{.250}$
Thread 17/32-40 TPI

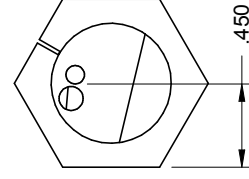
11



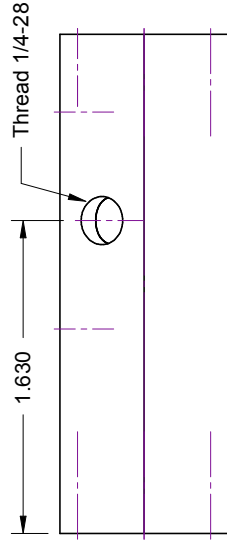
4-40 UNC $\sqrt{.500}$
.800 BC



Setup for milling slot for face 1 (cylinder 1).



Setup for milling slot for face 2 (cylinder 2).



SIZE A	Title CRANKCASE	REV
SCALE 1:1	SHEET	SHEET 4 of 6

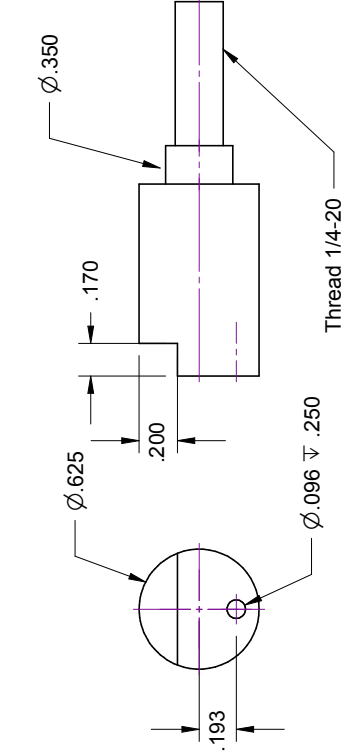
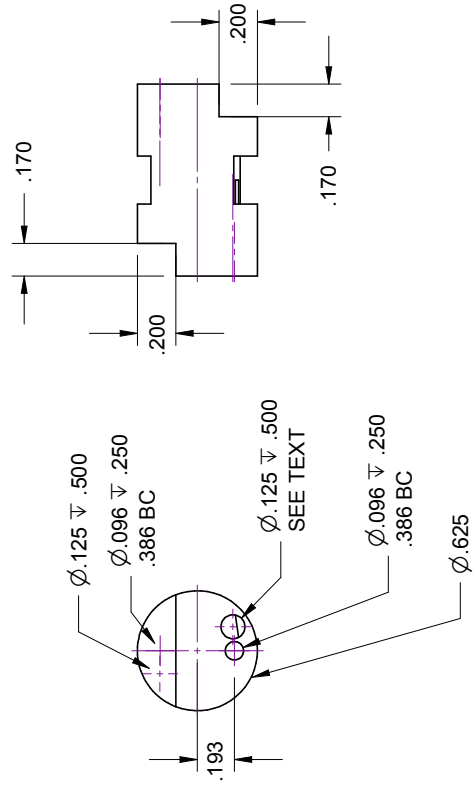
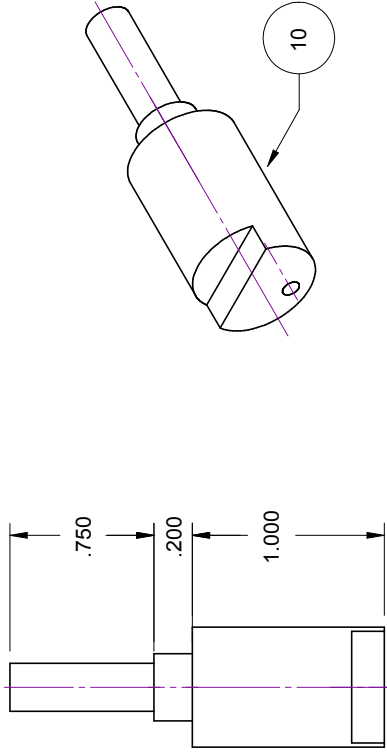
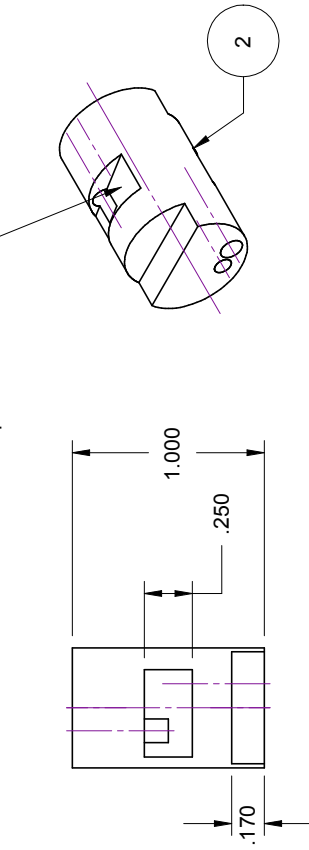
James Engine HEX-2

ZONE

REV

15 Jul 06

Mill .250" wide and .090" deep.
See text for setup.



SIZE

A

Title

CRANKSHAFT AND CRANKSHAFT END

REV

SCALE

1:1

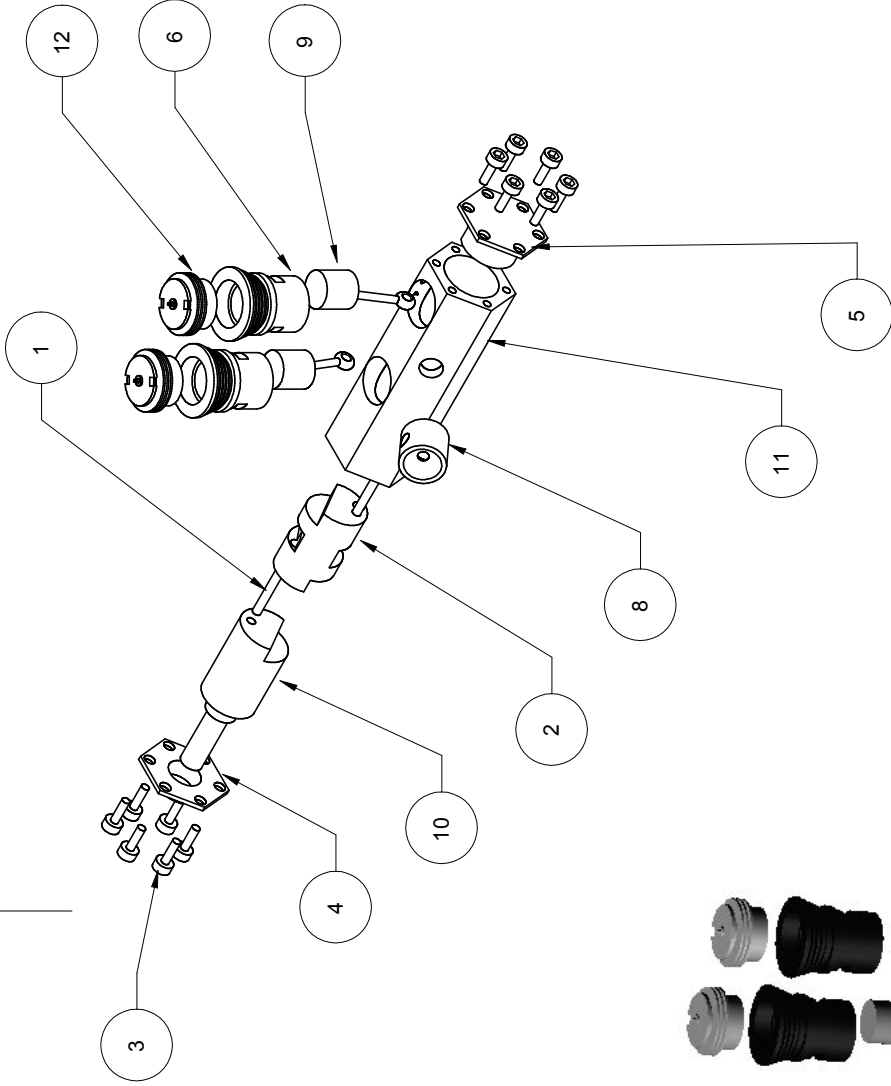
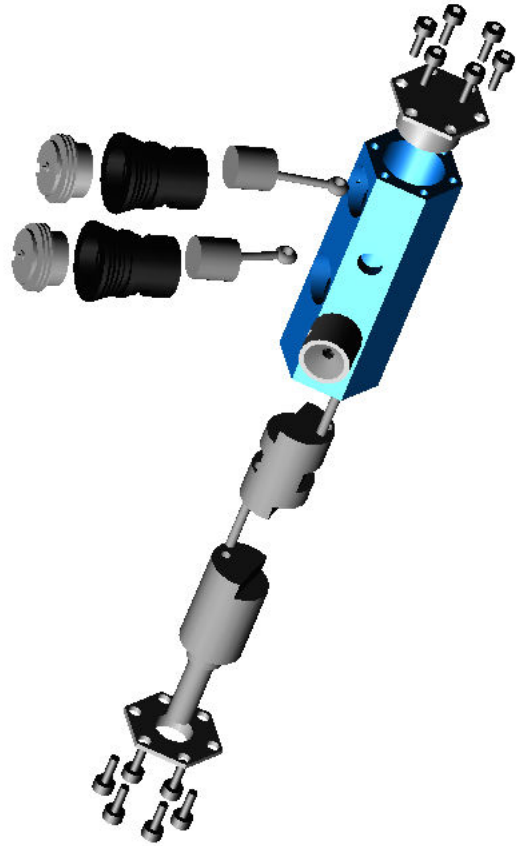
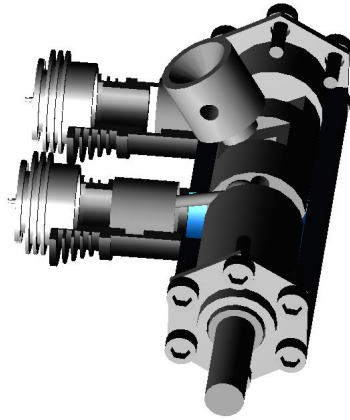
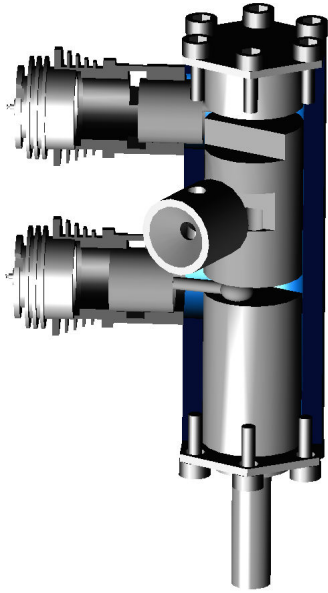
SHEET

SHEET 5 of 6

James Engine HEX-2

15 Juli 06

ZONE REV



SIZE A	Title ASSEMBLY DRAWING	REV
SCALE 1:1	SHEET SHEET 6 of 6	